

FLORAFORM

PRODUCT RANGE OF TREE PROTECTION AND PLANTING PRODUCTS



GH ◊ FORM

FLORAFORM

PRODUCT RANGE OF TREE PROTECTION AND PLANTING PRODUCTS

- 6 PRODUCT PROGRAM
- 8 CAST IRON
- 12 DROPS
- 14 CAMPUS
- 18 CAMPUS RECTANGULAR
- 20 DOCK-LINE SQUARE LINE
- 25 DOCK-LINE TRAFFIC-REGULATING
- 25 DOCK-LINE RECTANGULAR
- 26 ORBIT
- 28 SPECIAL GRATES
- 30 PLANTER ACCESSORIES
- 34 TREE PROTECTION MOUNTINGS
- 40 PLANTERS
- 42 KUNGSAN PLANTER
- 44 KUNGSAN SECURED PLANTERS
- 48 MATERA PLANTER
- 50 JEREMY DEAN PLANTER
- 54 ROUND BENCH WITH FLOWER PLANTERS



The architects at URBANlab nordic are the minds behind the project Bodil Koch's Park. In 2022, the project was nominated for Copenhagen's coveted "Arne of the Year" award for architecture.

GH • FORM



Bodil Kochs Park
Lokal mødested med 2000 m² og 1000 planter



The Frederiksberg Shopping Centre is right next door to the Frederiksberg Metro Station. Several of our Campus Tree Grates, Campus linear drainage, Kungsan Planters and guided pathways for the sight-impaired have all been installed in the immediate vicinity of the metro station.

We only use 100% recycled iron to make our products. This allows to run our company in a sustainable way and to make efficient use of natural resources.



PLANTING AND TREE PROTECTION

PRODUCT PROGRAM FOR TREE GRATES AND PLANTERS

Trees help a town's users to de-stress as they bring a sense of scale and space to the urban environment while being a good match with architectural expression.

GH Form has worked with designers like Knud Holscher Design, Arkitema, SLA Arkitekter, Henrik Jørgensen, Kristine Jensens Tegnestue, Monika Gora and Jeremy Dean to develop the products in the Floraform range.

Sustainability is a shared responsibility, so we spend every day trying to make our urban environment greener. DGNB and other environmentally certified builders all report increased demand for EPD-documented materials. We have therefore decided to prepare EPD certification for several of our products.

All our cast iron planters are EPD-certified. EPD is an environmental declaration that was developed to follow recognised European and international standards as set out in EN 15804 requirements.

EPD is the acronym for Environmental Product Declaration and is a standardised methodology for providing information about energy and resource consumption, waste generation and the environmental impact of the production, use and disposal of a product used in construction.

Product-specific EPD certifications are our way of helping our customers by providing them with appropriate environmental documentation. Our EPD certifications can be looked up in the database of EPD Denmark epddanmark.dk.





Schulze+Grassov architects designed the project surrounding London's Design District. Here, you will find our tree grates, linear drainage, slot drainage, plinth humidifiers and our untreated cast iron textured guided pathways.

KH.10.9052

Stændertorvet is the central square in Roskilde and is surrounded by Roskilde's cathedral, palace and the town hall.



CAST IRON

KNUD HOLSCHER DESIGN

The grate is circular with four grate elements placed on two steel half frames. As the tree grows, the three inner rings can be cut out.

To protect the tree's roots, the underlying steel frame has slanted cut profiles on all its parts that are aligned towards the tree. It is 20 mm thick at the point where the frame is in closest proximity to the tree.

The tree grate is part of the Cast Iron range, which includes bollard lamp, bollard, marker nail, bicycle stand, tree grate, street light, street name sign and various types of information signs.



KH.10.9053



Our massive Ø2500 mm Cast Iron Tree Grate at Diepoldsau in Switzerland.

KH.10.9053



CAST IRON

KNUD HOLSCHER DESIGN

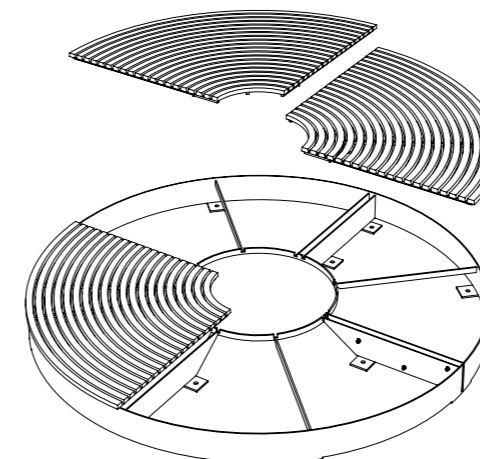
A tree grate protects a tree's roots while highlighting the tree's function and impression.

The tree grate is available in sizes Ø860 mm (0.6 m²), Ø1600 mm (2.0 m²) and Ø2500 mm (5.0 m²).

The frames are available in two variants, of which one can be dismantled to allow the planting of a tree at some point in the future. The outer section of these frames can be left in the paving when the grate support is taken out. This makes it possible to replace a tree or plant at some point in the future without having to work on the adjacent paving.

The tree grate can be supplied with a tree guard to protect the tree trunk. Drawings and assembly materials are available for the grate.

KH.10.9051	Cast Iron Tree Grate Ø860 mm / Ø380 mm	Untreated cast iron
KH.10.9052	Cast Iron Tree Grate Ø1600 mm / Ø320 mm	Untreated cast iron
KH.10.9053	Cast Iron Tree Grate Ø2500 mm / Ø520 mm	Untreated cast iron





The Hørsholm pedestrian street was designed by Henrik Jørgensen Landskab as. The tree grates have been fitted with Iquzzini spotlights.

HJ.10.9071

A Drops tree grate is prepared for upright installation. This allows for the integration of a wide variety of different types of uplighting. We would be pleased to propose suggestions to suit your requirements.

The frames can be dismantled to allow the planting of a tree at a later point in time. The outer section of these frames can be left in the paving when the grate support is taken out. This makes it possible to replace a tree or plant at some point in the future.



DROPS

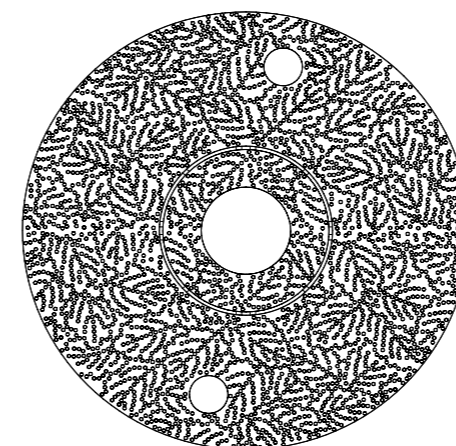
HENRIK JØRGENSEN LANDSKAB A/S

The Drops Tree Grate is circular and thus non-directional. The grate is comprised of two halves that are placed around the tree on two half frames. The inner labelled sections can be cut out as the tree grows. The grate features two circular routings for light fittings.

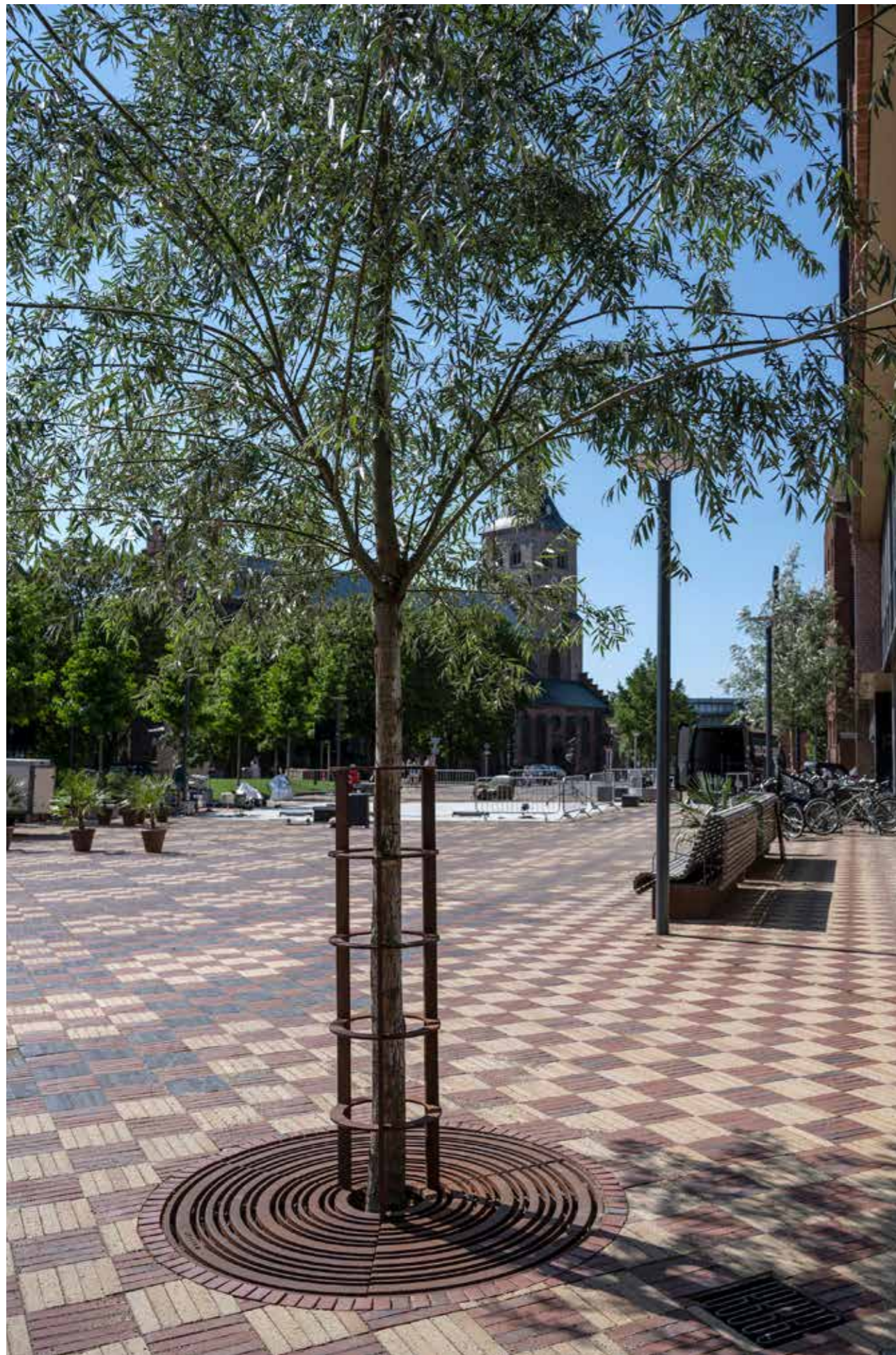
The two frames are assembled around the tree using rust-resistant steel nuts and bolts. The steel frame has feet around its periphery. The frame can be set and levelled in soil-moist concrete or set on concrete tiles that are levelled onto stable gravel.

The underlying steel frame protects the roots of the tree. All the frame's steel elements that support the grate where it faces the tree have edges that are sloped away from the tree's roots. It is 20 mm thick at the point where the frame is in closest proximity to the tree.

The tree grate can handle loads from small and medium-sized vehicles. The tree grate can be supplied with a tree guard to put around the tree trunk. Drawings and assembly materials are available for the grate.



HJ.10.9071 Drops Tree Grate Ø1600 mm / Ø320 mm Untreated cast iron



Odense City Centre has seen fairy-tale transformation in recent years. Several of our Campus tree grates with stands have been installed on the street at Thomas B. Thriges Gade in the city of H.C. Andersen.

SLA.10.9068

Playground environment at Hauser Plads in Copenhagen City Centre.

This project was nominated in 2013 for the Danish Architectural Society's "Arne of the Year" award and the City of Copenhagen's "Beautiful Buildings 2013" prize.



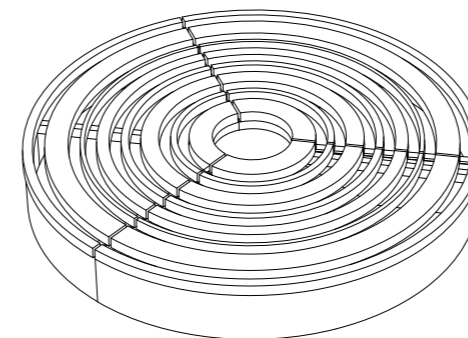
CAMPUS

SLA ARCHITECTS

Den cirkulære rist fremstilles i fem størrelser. The grate is comprised of three identical cast iron elements. Each element is a 120 degree circular section that is assembled around the tree with rust-resistant steel nuts and bolts on an underlying steel frame.

The steel frame has feet around its periphery with 500 mm spacing. The frame can be set and levelled in soil-moist concrete or set on concrete tiles that are levelled onto stable gravel.

The underlying steel frame protects the roots of the tree. All the frame's steel elements that support the grate where it faces the tree have edges that are sloped away from the tree's roots. The tree grate can handle loads from small to medium-sized vehicles.



SLA.10.9063	Campus Tree Grate Ø1000 mm	Untreated cast iron
SLA.10.9071	Campus Tree Grate Ø1170 mm	Untreated cast iron
SLA.10.9068	Campus Tree Grate Ø1500 mm	Untreated cast iron
SLA.10.9070	Campus Tree Grate Ø1800 mm	Untreated cast iron
SLA.10.9069	Campus Tree Grate Ø2400 mm	Untreated cast iron





Royal Arena, Copenhagen

SLA.10.9065

The Campus Tree Grate is available in several sizes and can be comprised of two grate elements with the hole for the tree aligned symmetrically along the middle of the two halves.

The tree grate can be supplied with a tree guard to go around the tree trunk. Drawings and assembly materials are available for the grate.



CAMPUS REKTANGULÆR

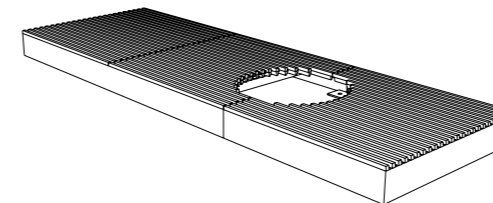
SLA ARCHITECTS

The Campus Rectangular Tree Grate protects trees, while providing an elongated aesthetic that follows that direction of movement along the street.

The tree grate is comprised of three cast iron elements and an underlying steel frame. The grate has two different grated elements. One of the elements features a semi-circular routing at one end for alignment around the tree to produce the hole. The other element has the same external dimensions but no routing. The unrouted grate elements can be aligned as long linear sections to form a "banding" of grating along the street surface.

The two frames are assembled around the tree using bolts. The steel frame has feet all the way round, each at a distance of 500 mm from each other, which can be set and levelled in soil-moist concrete or set on concrete tiles that are levelled onto stable gravel.

The steel frame provides tree root protection because all the frame's steel elements that support the grate where it faces the tree have edges that are sloped away from the tree's roots. The tree grate can handle loads from small and medium-sized vehicles.



SLA.10.9060	Campus Tree Grate 1490 x 500 mm / Ø600	Untreated cast iron
SLA.10.9061	Campus Tree Grate 2245 x 500 mm / Ø600	Untreated cast iron
SLA.10.9062	Campus Modulargrid 745 x 500 mm / Ø600	Untreated cast iron
SLA.10.9064	Campus Tree Grate 1000 x 2000 mm / Ø600	Untreated cast iron
SLA.10.9065	Campus Tree Grate 1000 x 3000 mm / Ø600	Untreated cast iron
SLA.10.9066	Campus Modulargrid 1000 x 1000 mm / Ø600	Untreated cast iron
SLA.10.9067	Campus Tree Grate 2000 x 2000 mm / Ø600	Untreated cast iron
SLA.10.9092	Campus Tree Grate 1400 x 1400 mm / Ø600	Untreated cast iron
SLA.10.9094	Campus Tree Grate 1700 x 1700 mm / Ø600	Untreated cast iron



Sluseholmen is a neighbourhood where water, urbanity and housing come together in perfect harmony. Although the Sluseholmen project in Copenhagen's South Harbour district is now 15 years old, our products still stand proud.

AT.10.9001

The entire untreated cast iron Dock-Line range of benches, tree grates, reflective bollards, linear drainage and waste bins has been installed in the Sluseholmen neighbourhood.



DOCK-LINE SQUARE

ARKITEMA

Dock-Line Tree grate serves as a protective frame for trees that grow in hard surfaces such as paving slabs.

The outer edges of the square grate have an inclined chamfer that meets the ribs. This detail is characteristic of all grates in the Dock-Line range.

The tree grate has two parts that are assembled around the tree on an underlying steel frame. The cast iron grate has a moulded attachment to conceal the underlying steel frame. This makes it possible to surface right up to the grate itself. All the grate's steel elements that support the grate where it faces the tree have edges that are sloped away from the tree's roots. The steel frame has feet around the outer edge, each at a distance of 500 mm from each other.





Arkitema architects are the brains behind the Sluseholmen project. It was awarded the City of Copenhagen Prize for Architecture in 2009.

AT.10.9001

Our Dock-Line square tree grates and the iconic Jeremy Dean planters are on full view in the immediate vicinity of Denmark's seat of government at Christiansborg.



DOCK-LINE KVADRATISK

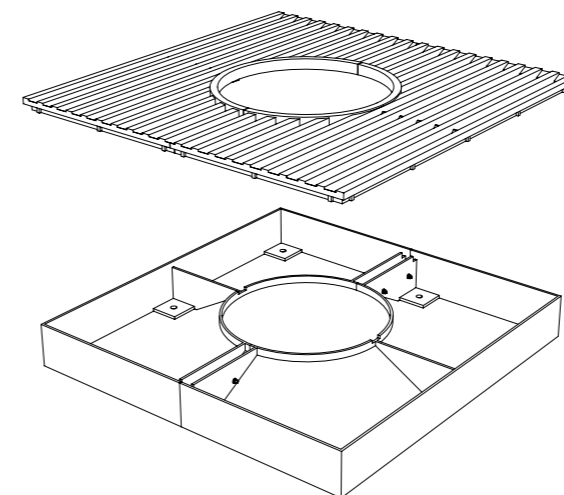
ARKITEMA

The frames are available in two variants, of which one can be dismantled to allow the planting of a tree at a later point in time. The outer section of these frames can be left in the paving when the grate support is removed. This makes it possible to replace a tree or plant at some point in the future without having to work on the adjacent paving.

The frame can be set and levelled in soil-moist concrete or set on concrete tiles that are levelled onto stable gravel. The tree grate can handle loads from smaller vehicles.

The Dock-Line Square Tree Grate comes in five sizes. Cast iron is easy to work. It is, for example, possible to configure holes for lighting, irrigation housing and more.

AT.10.9001	Dock-Line Tree Grate 1200 x 1200 mm / Ø530 mm	Untreated cast iron
AT.10.9002	Dock-Line Tree Grate 1400 x 1400 mm / Ø530 mm	Untreated cast iron
AT.10.9003	Dock-Line Tree Grate 1600 x 1600 mm / Ø650 mm	Untreated cast iron
AT.10.9005	Dock-Line Tree Grate 1800 x 1800 mm / Ø650 mm	Untreated cast iron
AT.10.9010	Dock-Line Tree Grate 2100 x 2100 mm / Ø650 mm	Untreated cast iron





Taastrup City center

AT.10.9007

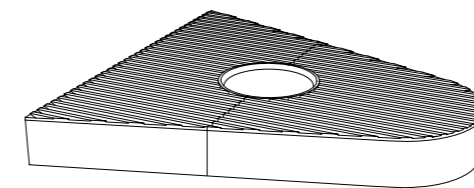


DOCK-LINE TRAFFIC-REGULATING

ARKITEMA

Dock-Line Traffic-Regulating Tree Grate frames and protects trees that have been positioned as part of speed reduction measures on narrower roads.

Dock-Line Traffic-Regulating Tree Grates are made of cast iron and feature a strong underlying steel frame. The steel frame protects the roots of the tree. All the frame's steel elements that support the grate where it faces the tree have edges that are sloped away from the tree's roots. The steel frame has feet around the outer edge, each at a distance of 500 mm from each other. The frame can be set and levelled in soil-moist concrete.



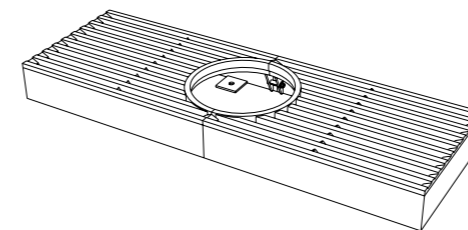
The frame is levelled to a height of 300 mm and includes base casting cavities. This ensures the stability and resilience of the grate and frame in the event of collisions. The traffic-regulating tree grate has a reinforced frame that can withstand collisions up to a certain point, as well as vehicular loads.

AT.10.9006 Dock-Line Traffic-Regulating 2085 x 2120 x H 300 mm Untreated cast iron

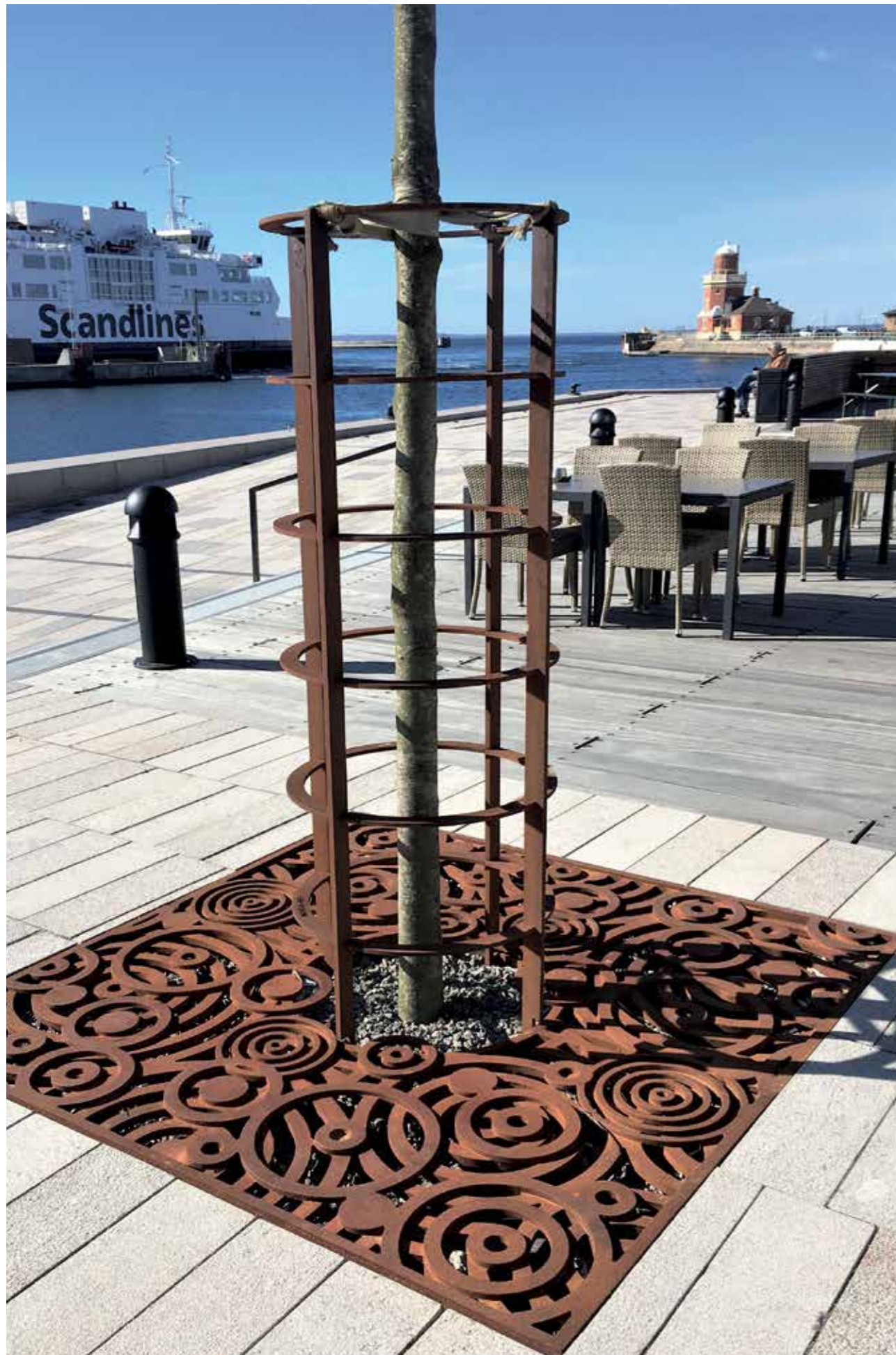
DOCK-LINE RECTANGULAR

Dock-Line Tree Grates are made of cast iron and feature an underlying steel frame. The underlying steel frame protects the roots of the tree. All the frame's steel elements that support the grate where it faces the tree have edges that are sloped away from the tree's roots.

The steel frame has feet around the outer edge. The frame can be set and levelled in soil-moist concrete or set on concrete tiles that are levelled onto stable gravel. The tree grate can handle loads from smaller vehicles.



AT.10.9007 Dock-Line Rectangular 1800 x 600 x H 150 mm Untreated cast iron



Helsingborg Harbor.

KJ.10.9001

The Orbit Tree Grate was designed for the Port of Aarhus by Kristine Jensens Tegnestue. The grate is part of our Orbit range, which also includes a linear drainage grate.



ORBIT

KRISTINE JENSENS TEGNESTUE

The square Orbit Tree Grate features a three-dimensional pattern of concentric circles that occasionally overlap the circular hole in the middle.

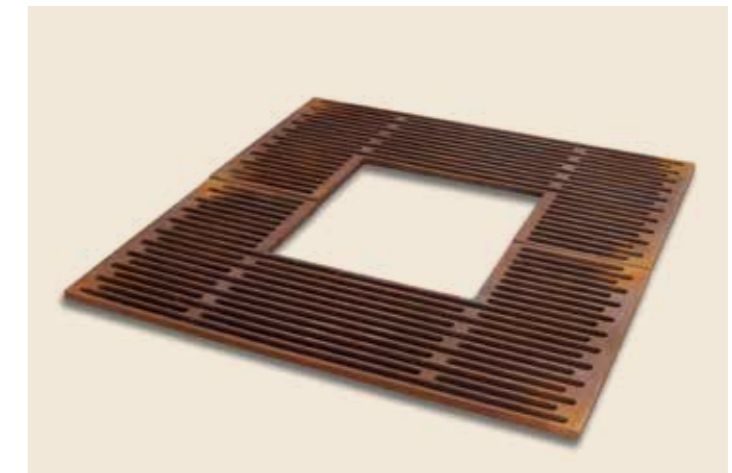
The high quality SG cast iron grate is comprised of two halves that are assembled onto the underlying steel frame that goes around the tree using rust-resistant steel nuts and bolts. The steel frame has feet around the outer edge. The frame can be set and levelled in soil-moist concrete or set on concrete tiles that are levelled onto stable gravel.

The underlying steel frame protects the roots of the tree. All the frame's steel elements that support the grate where it faces the tree have edges that are sloped away from the tree's roots. It is 20 mm thick at the point where the frame is in closest proximity to the tree.

The tree grate can handle loads from small and medium-sized vehicles.



Dock-Line Tree Grates in rust-resistant steel for Copenhagen's new Nørreport Station.

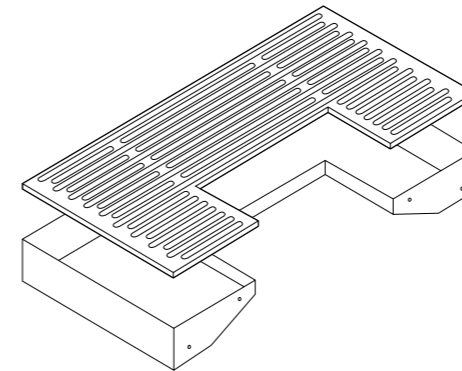


SPECIAL GRATES

The function of a tree grate is to protect the tree itself. The tree grate can handle loads from small and medium-sized vehicles.

The grate is comprised of two halves that are placed around the tree on two steel half frames. The steel frame protects the roots of the tree. All the frame's steel elements that support the grate where it faces the tree have edges that are sloped away from the tree's roots. The two frames are assembled around the tree using rust-resistant steel nuts and bolts. The frame can be set and levelled in soil-moist concrete or set on concrete tiles that are levelled onto stable gravel.

The tree grate can be supplied with a tree guard to put around the tree trunk. Drawings and assembly materials are available for the grate.



ST.20.0226 Tree Grate 1370 x 682 mm

Untreated cast iron

SPECIAL GRATES

GH Form produces specially-manufactured tree grates for specific projects.

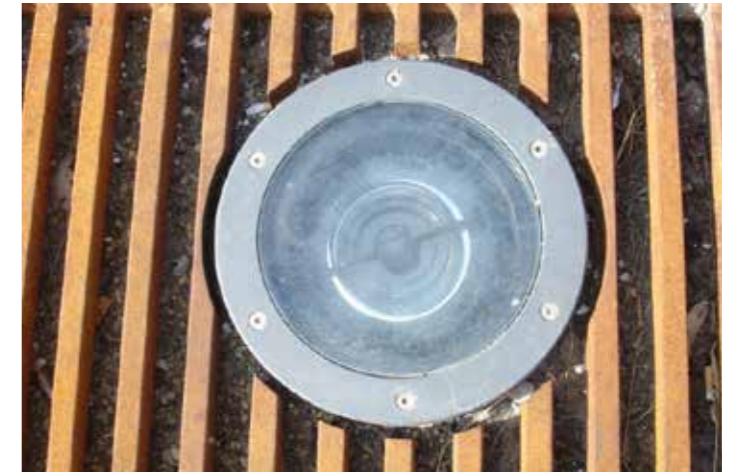
The standard grates can also be customised to requirements. The grates can also be supplied with various surface coatings to your own preference.

One example of a tree grate in special materials can be seen on the left, where a rust-resistant version of our Dock-Line Tree Grates was chosen for the trees at Copenhagen's newly-renovated Nørreport Station.



Irrigation housing customised into the grating.

All tree grates can be supplied with machined holes after casting for all types of uplights. Spotlight are from Iquzzini.



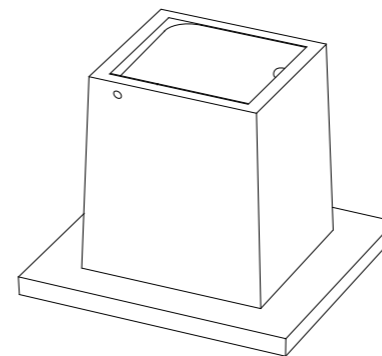
INTEGRATION OF IRRIGATION HOUSING AND UPLIGHT

IRRIGATION HOUSING

GH Form's irrigation housings can be integrated into most of our tree grates and also provide oxygen supply to the tree's roots. The irrigation housing fits a drainage hose with a maximum diameter of 76 mm for watering trees.

The irrigation housing measures 100 x 100 mm and replaces one slab of standard paving. The cover does not create a full seal, which creates an oxygen supply to the tree's roots.

As standard, irrigation housings are supplied in untreated cast iron, but they can be surface treated according to your requirements.



GH.11.8001 Irrigation housing 100 x 100 mm (Ø76) Untreated cast iron



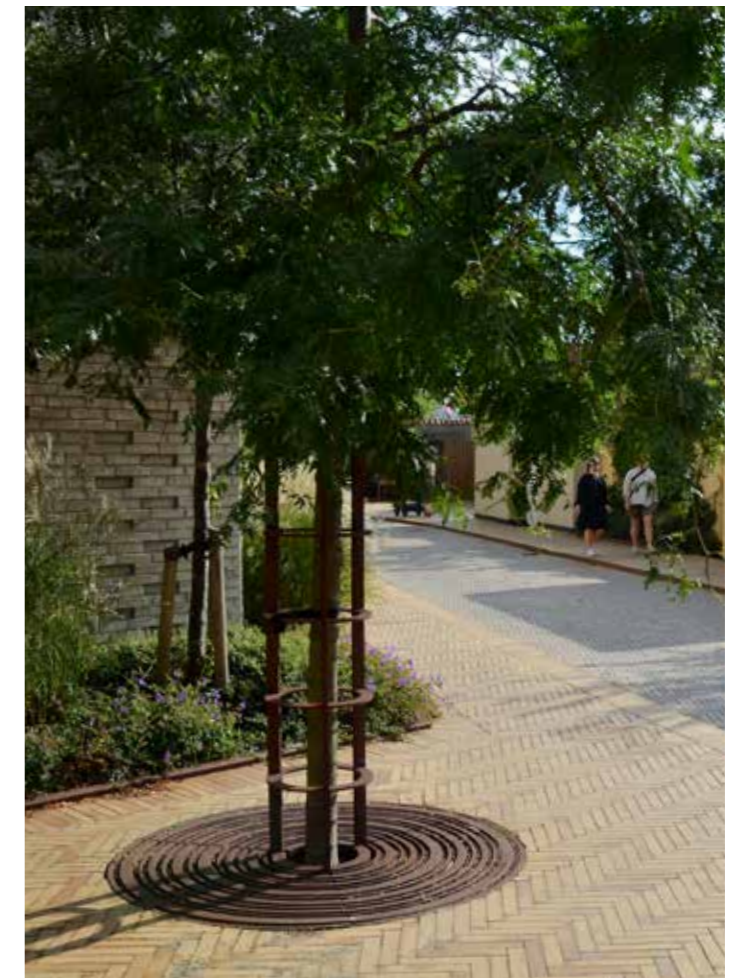


Amagerbrogade. Solid proof that tree guards actually work and ensure that trees have the conditions they need to grow properly.

GHT.10.9007

At Thomas B. Thriges Street in Odense, you will find several of our Campus Tree hole grates with wood protection stands.

The entire project won the Project Development Award at Building Awards 2022.



TREE GUARDS

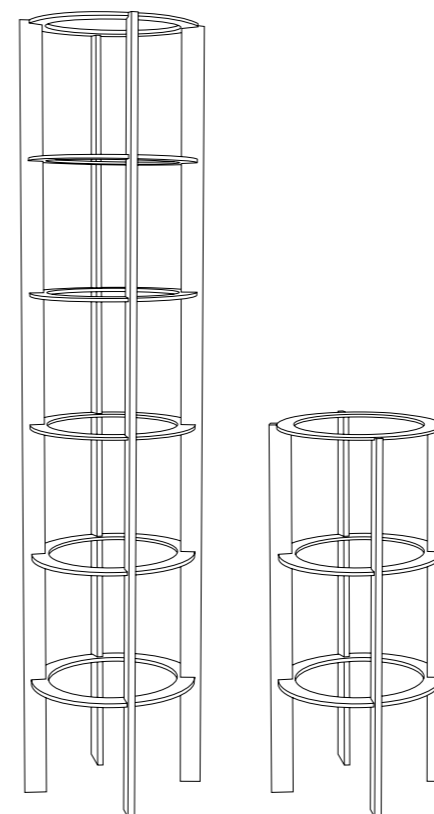
We always recommend the use of tree guards. Tree guards ensure that trees have the right conditions to grow while protecting them against the hazards of hectic city life.

The tree guards are comprised of horizontally-aligned hoops and vertical extruded steel rods that are assembled on-site around the tree and bolted to the tree grate frame.

Depending on the type of grate, the guards each have three or four vertical rods. Hoop sizes vary to match tree grate hole dimensions.

Tree guards are available in two standard heights and diameters. They are made of corten steel (weathering steel), which can be either treated or left untreated. The guard features three or four vertical 15 x 40 mm rods and three or six horizontal hoops. The hoop extrusion is 10 x 40 mm.

Tree guards can be post-mounted to GH Form tree grates. They can also be removed as necessary later on.



TREE GUARDS WITH 3 VERTICAL RODS

GHT.10.9001	Tree guard, 3 rods / 3 hoops, Untreated steel	Ø300, height 1100 mm
GHT.10.9011	Tree guard, 3 rods / 3 hoops, Treated steel	Ø300, height 1100 mm

COMPATIBLE WITH THE FOLLOWING GRATES:

SLA.10.9063	Campus Tree Grate Ø1000 mm
SLA.10.9071	Campus Tree Grate Ø1170 mm
SLA.10.9068	Campus Tree Grate Ø1500 mm



GHT.10.9002	Tree guard, 3 rods / 6 hoops, Untreated steel	Ø300, height 1800 mm
GHT.10.9012	Tree guard, 3 rods / 6 hoops, Treated steel	Ø300, height 1800 mm

COMPATIBLE WITH THE FOLLOWING GRATES:

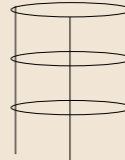
SLA.10.9063	Campus Tree Grate Ø1000 mm
SLA.10.9071	Campus Tree Grate Ø1170 mm
SLA.10.9068	Campus Tree Grate Ø1500 mm



GHT.10.9003	Tree guard, 3 rods / 3 hoops, Untreated steel	Ø550, height 1100 mm
GHT.10.9013	Tree guard, 3 rods / 3 hoops, Treated steel	Ø550, height 1100 mm

COMPATIBLE WITH THE FOLLOWING GRATES:

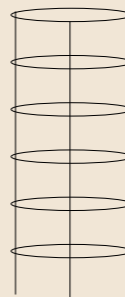
SLA.10.9068	Campus Tree Grate Ø1500 mm
SLA.10.9069	Campus Tree Grate Ø2400 mm
SLA.10.9070	Campus Tree Grate Ø1800 mm



GHT.10.9004	Tree guard, 3 rods / 6 rings, Untreated steel	Ø550, height 1800 mm
GHT.10.9014	Tree guard, 3 rods / 6 rings, Treated steel	Ø550, height 1800 mm

COMPATIBLE WITH THE FOLLOWING GRATES:

SLA.10.9068	Campus Tree Grate Ø500 mm
SLA.10.9069	Campus Tree Grate Ø2400 mm
SLA.10.9070	Campus Tree Grate Ø1800 mm

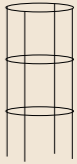


TREE GUARDS WITH 4 VERTICAL RODS

GHT.10.9005	Tree guard, 4 rods / 3 hoops, Untreated steel	Ø300, height 1100 mm
GHT.10.9015	Tree guard, 4 rods / 3 hoops, Treated steel	Ø300, height 1100 mm

COMPATIBLE WITH THE FOLLOWING GRATES:

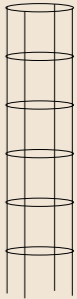
AT.10.9001	Dock-Line Tree Grate 1200 x 1200 mm
AT.10.9002	Dock-Line Tree Grate 1400 x 1400 mm
AT.10.9007	Dock-Line Tree Grate 600 x 1800 mm
KH.10.9051	Cast Iron Tree Grate Ø860 mm
KH.10.9052	Cast Iron Tree Grate Ø1600 mm
SLA.10.9060	Campus Tree Grate 1490 x 500 mm
SLA.10.9061	Campus Tree Grate 2245 x 500 mm
HJ.10.9071	Drops Tree Grate Ø1600



GHT.10.9006	Tree guard, 4 rods / 6 hoops, Untreated steel	Ø300, height 1800 mm
GHT.10.9016	Tree guard, 4 rods / 6 hoops, Treated steel	Ø300, height 1800 mm

COMPATIBLE WITH THE FOLLOWING GRATES:

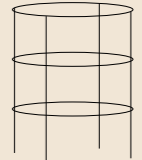
AT.10.9001	Dock-Line Tree Grate 1200 x 1200 mm
AT.10.9002	Dock-Line Tree Grate 1400 x 1400 mm
AT.10.9007	Dock-Line Tree Grate 600 x 1800 mm
KH.10.9051	Cast Iron Tree Grate Ø860 mm
KH.10.9052	Cast Iron Tree Grate Ø1600 mm
SLA.10.9060	Campus Tree Grate 1490 x 500 mm
SLA.10.9061	Campus Tree Grate 2245 x 500 mm
HJ.10.9071	Drops Tree Grate Ø1600 mm



GHT.10.9007	Tree guard, 4 rods / 3 hoops, Untreated steel	Ø550, height 1100 mm
GHT.10.9017	Tree guard, 4 rods / 3 hoops, Treated steel	Ø550, height 1100 mm

COMPATIBLE WITH THE FOLLOWING GRATES:

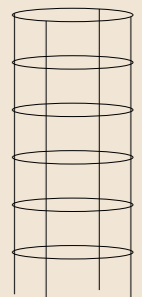
AT.10.9001	Dock-Line Tree Grate 1200 x 1200 mm
AT.10.9002	Dock-Line Tree Grate 1400 x 1400 mm
AT.10.9005	Dock-Line Tree Grate 1800 x 1800 mm
AT.10.9010	Dock-Line Tree Grate 2100 x 2100 mm
AT.10.9006	Dock-Line Traffic-Regulating Tree Grate
KH.10.9052	Cast Iron Tree Grate Ø1600 mm
KH.10.9053	Cast Iron Tree Grate Ø2500 mm
SLA.10.9064	Campus Tree Grate 1000 x 2000 mm
SLA.10.9065	Campus Tree Grate 1000 x 3000 mm
KJ.10.9001	Orbit Tree Grate 1800 x 1800 mm



GHT.10.9008	Tree guard, 4 rods / 6 hoops, Untreated steel	Ø550, height 1800 mm
GHT.10.9018	Tree guard, 4 rods / 6 hoops, Treated steel	Ø550, height 1800 mm

COMPATIBLE WITH THE FOLLOWING GRATES:

AT.10.9001	Dock-Line Tree Grate 1200 x 1200 mm
AT.10.9002	Dock-Line Tree Grate 1400 x 1400 mm
AT.10.9005	Dock-Line Tree Grate 1800 x 1800 mm
AT.10.9010	Dock-Line Tree Grate 2100 x 2100 mm
AT.10.9006	Dock-Line Traffic-Regulating Tree Grate
KH.10.9052	Cast Iron Tree Grate Ø1600 mm
KH.10.9053	Cast Iron Tree Grate Ø2500 mm
SLA.10.9064	Campus Tree Grate 1000 x 2000 mm
SLA.10.9065	Campus Tree Grate 1000 x 3000 mm
KJ.10.9001	Orbit Tree Grate 1800 x 1800 mm







PLANTERS

EPD-CERTIFIED PLANTERS

The size, shape and mass of our planters means that they can be used in public spaces; as ornamentation, space dividers and security measures.

Our planters are made of 100% recycled cast iron, which means that they have a long service life and can withstand frost and heavy impacts.

We offer planting and watering inserts as well as a watering system that can be directly installed into the planter. Watering requirements are low as the water is unable to dissipate through the cast iron.

All our cast iron planters are EPD-certified. EPD is an environmental declaration that was developed to follow recognised European and international standards as set out in EN 15804 requirements.

EPD is the acronym for Environmental Product Declaration and is a standardised methodology for providing information about energy and resource consumption, waste generation and the environmental impact of the production, use and disposal.

Product-specific EPD certifications are our way of helping our customers by providing them with appropriate environmental documentation. Our EPD certifications can be looked up in the database of EPD Denmark / epddanmark.dk.



 epddanmark



The Latin Quarter of Odense near Brandts Klædefabrik is a place of atmosphere and authenticity.

MG.12.3021

Our planters add a further dimension to an urban space that goes beyond simply ensuring that plants and flowers have good conditions to grow.

At Hedehusene Railway Station Square. Our planters are intended to be used in public spaces as ornamentation, spatial dividers or as secure barriers in urban spaces.

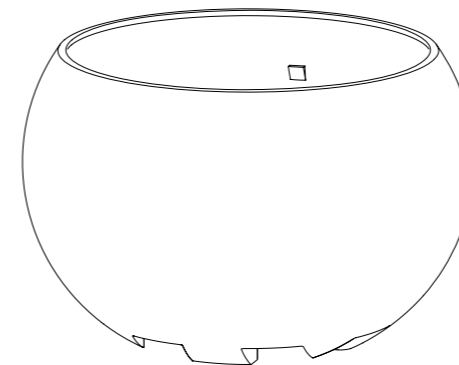


KUNGSAN PLANTER

GORA ART&LANDSCAPE / MONIKA GORA

Kungsan Planters are available in three sizes. Their shape and dimensions cover the spectrum from private gardens to large public spaces. The largest planter can hold plants up to five metres tall, making them well-suited as space dividers or privacy barriers.

The base of the largest planter has room underneath for a pallet lifter to make it easier to move and transport. Various irrigation systems are available for use with Kungsan Planters.



MG.12.3020	Kungsan Ø1500 x H 930 mm / 1.053 litres	Untreated cast iron
MG.12.3021	Kungsan Ø1500 x H 930 mm / 1.053 litres	Treated cast iron
MG.12.3022	Kungsan Ø1000 x H 650 mm / 356 litres	Untreated cast iron
MG.12.3023	Kungsan Ø1000 x H 650 mm / 356 litres	Treated cast iron
MG.12.3024	Kungsan Ø500 x H 330 mm / 45 litres	Untreated cast iron
MG.12.3025	Kungsan Ø500 x H 330 mm / 45 litres	Treated cast iron

epddanmark



Secure barriers for urban spaces at the Kongens Nytorv metro station in Copenhagen.

The size, materials and design of our Kungsan secured planters make them particularly suitable for use as urban barriers.



KUNGSAN SECURED PLANTERS

BARRIERS IN URBAN SPACES

Kungsan Secured Planters are mobile units that can be used both as permanent installations or as temporary barriers for town events, etc.

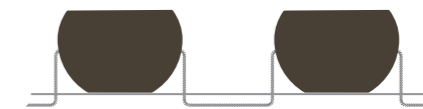
Secured planters:

- ground anchorable
- can be installed with ground-anchored security chains
- can weigh up to 7,300 kg for use as effective barriers
- can be moved by pallet-lifter or fork-lift
- can be configured with an up to 400 litre capillary water holder

We offer various options to increase barrier security.



- a.
Chains between the planters. In the event of a collision, the vehicle will have to drag all attached planters, which will bring it to a standstill.



- b.
A cable connects the planters and is buried in the paving between them. In the event of a collision, the cable will rise and work as a barrier.



- c.
Reinforced 1, 2 or 4 m³ concrete blocks are installed below ground with an Ø600 mm cylinder and 700 mm of elevation above the paving. The planter is supplied without a base and installed on top of the reinforced cylinder. The planter should be filled with plant soil as advised and planted according to preference. This provides an extremely well-secured barrier planter, while adding the view of shrubs or flowers to an urban space.



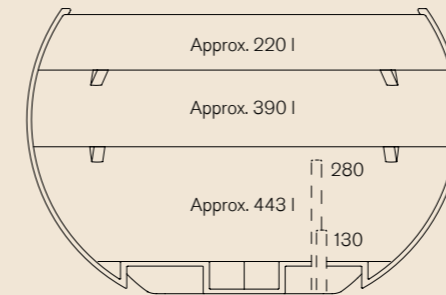
The Frederiksberg Shopping Centre is right next door to the Frederiksberg Metro Station. Several untreated cast iron Kungsan Planters have been installed in the area immediately adjacent to the metro station.

MG.12.3022

IRRIGATION SYSTEMS FOR KUNGSAN

- Capillary system with stainless steel insert for 200 or 420 litres
- Overflow pipe, 130 mm or 280 mm above the base
- Double section hollow base

The overflow pipe is secured inside the planter. This allows the storage of a small amount of water in the planter's base before water is drained off.



The capillary system is made of stainless steel. When installed inside the planter it leaves space for respectively 200 L or 420 L water to be stored in the planter base. The system is comprised of an irrigation tube, capillary tube and overflow. See *fig. 2*.

The hollow double section base can be used in the medium Kungsan Planter. This allows the base of the planter to be used to store water. The base is supplied with an irrigation tube.

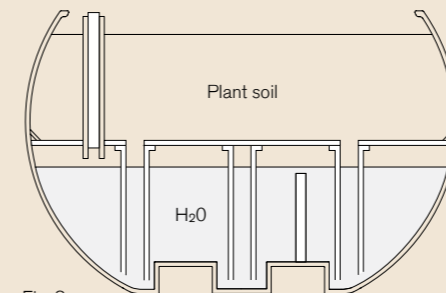


Fig. 2

GH.13.1055	Irrigation insert for Ø1200
GH.13.1049	Capillary system, 200 Liters for Kungsan Planter Ø1000
GH.13.1051	Capillary system, 420 Liters for Kungsan Planter Ø1500
GH.13.1058	Overflow pipe, 4 units, each 280 mm
GH.13.1059	Overflow pipe, 4 units, each 130 mm

PLANTING INSERT FOR KUNGSAN



GH.13.1065

The planting insert makes it easier to change what is growing inside the planter. Using multiple plant inserts for each planter allows the next planting to take place elsewhere and to move the new plant insert into the urban space after it has become established.

The planting insert is made of glass fibre. The Kungsan Planter Ø1500 mm insert has four lifting hooks.

GH.13.1065	Planting insert for Kungsan Planter Ø1500 mm / Glass fibre
GH.13.1066	Planting insert for Kungsan Planter Ø1000 mm / Glass fibre



Matera Planter in great company with the Bispebjerg Bench.

GH.12.3020



MATERA PLANTER

GH FORM

The classic Italian-inspired planter made only of cast iron, for the sole purpose of bringing greenery into urban spaces in a flexible yet elegant style. Weighing 550 kg, this planter also makes a great traffic barrier. The Matera Planter can hold trees up to five metres in height and can be moved using hooks positioned underneath the thick edging.

All planters have drainage holes in the base and are also supplied with plant inserts. An irrigation system is also available as an optional extra.

The planter itself can be ordered in various treatments or colours according to your own preferences.

All our cast iron planters are EPD-certified. EPD is an environmental declaration that was developed to follow recognised European and international standards as set out in EN 15804 requirements.

Product-specific EPD certifications are our way of helping our customers by providing them with appropriate environmental documentation. Our EPD certifications can be looked up in the database of EPD Denmark / epddanmark.dk.



GH.12.3020	Matera Planter Ø1100 x H 900 x 430 Litres	Untreated cast iron
GH.12.3021	Matera Planter Ø1100 x H 900 x 430 Litres	Treated cast iron



At Odense's bicycle and pedestrian bridge, Byens Bro, stands the Jeremy Dean Flower Pots. The bridge connects the green area at Kongenshave and the railway site at Odense Banegård Center.

JD.12.3011

Our planters are 100% recycled cast iron, which means that they have a long service life and can withstand frost and heavy impacts.



JEREMY DEAN PLANTER

JEREMY DEAN

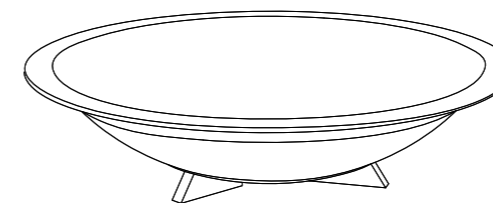
Jeremy Dean planter is available in two sizes. Its large format allows it to be deployed in public spaces or large parks and gardens.

The original design of the Planter stands on three legs, but it can also stand on a cast hoop. When using the planter on sloped surfaces, it can be advantageous to use the hooped stand.

Plant inserts, watering inserts and irrigation systems are available.

All our cast planters are EPD-certified. EPD is an environmental declaration that was developed to follow recognised European and international standards. The MD-23025-DA EPD certification can be looked up in the database of EPD Denmark epddanmark.dk.

JD.12.3010	Jeremy Dean Planter Ø1700 x H 515 mm	Untreated cast iron
JD.12.3011	Jeremy Dean Planter Ø1700 x H 515 mm	Oiled cast iron
JD.12.3012	Jeremy Dean Planter Ø1700 x H 515 mm	Painted cast iron
JD.12.3013	Jeremy Dean Planter Ø1200 x H 405 mm	Untreated cast iron
JD.12.3014	Jeremy Dean Planter Ø1200 x H 405 mm	Oiled cast iron
JD.12.3015	Jeremy Dean Planter Ø1200 x H 405 mm	Painted cast iron
JD.12.3026	Hoop stand for Planter Ø1200	Untreated cast iron / Treated cast iron
JD.12.3027	Hoop stand for planter Ø1700	Untreated cast iron / Treated cast iron
JD.12.3028	Wedged foot for Ø1200	Untreated cast iron / Treated cast iron
JD.12.3029	Wedged foot for Ø1700	Untreated cast iron / Treated cast iron





Aalborg City Centre is doing a great job of planting in our Planters. We offer planting and watering inserts as well as a watering system that can be directly installed into the planter.

JD.12.3010

IRRIGATION SYSTEMS FOR JEREMY DEAN

- Irrigation insert (double section)
- Overflow 130 mm

The hollow double section allows the base of the planter to be used to store water. The base can be fitted without tools and is supplied with an irrigation pipe.

Irrigation tanks can be combined in a quantity appropriate to the size of the planter and integrated into the bottom layer of soil. Tanks are supplied with irrigation tubes

The overflow pipe is secured inside the planter. This allows a small amount of water to be stored in the planter base before it is drained off. They can be combined with irrigation inserts and irrigation tanks.

The irrigation insert and irrigation tank can be used directly inside the planter or in conjunction with a planting insert.



GH.13.1054

GH.13.1054 Irrigation insert for Ø1700

GH.13.1055 Irrigation insert for Ø1200

GH.13.1059 Overflow pipe, 4 units, each 130 mm



GH.13.1052



GH.13.1053 / JD.12.3014 on feet



GH.13.1053 / JD.12.3014 with hoop

PLANTING INSERT

The planting insert is made of glass fibre. The planting insert makes it easier to change plants. Using multiple plant inserts for each planter allows the next planting to take place elsewhere and to move the new plant insert into the urban space after it has become established.

The smallest (Ø1200 mm) planting insert has three lifting hooks.

The largest (Ø1700 mm) planting insert has four lifting hooks. The insert contains a steel tube to prevent the insert against deformation during lifting.

GH.13.1052 Planting insert for Ø1700 mm

GH.13.1053 Planting insert for Ø1200 mm



The Platea round bench with planter is installed at Christianshavn in Copenhagen.

GH.10.1087



ROUND BENCH WITH PLANTERS

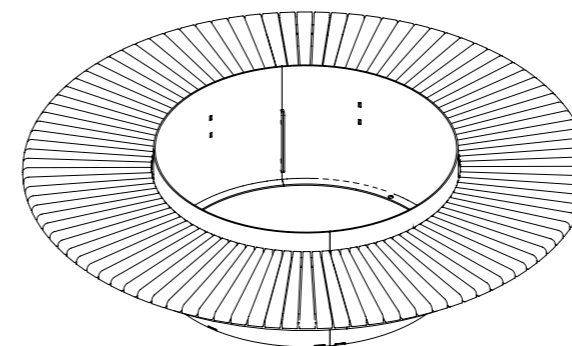
PLATEA ROUND BENCH

Bring nature to urban spaces with our solid planter and round bench solution. Our planters are easy to adapt to each different environment.

Our Platea Round Bench with planter has standard dimensions of Ø2200 but can be built to order to whatever radius is required. The bench and planter are made of treated steel and painted in your chosen RAL colour. The mahogany is beautifully cut and oiled.

The standard variant of the bench is designed for ground anchoring in concrete but can be manufactured with flanges that can be bolted into a surface instead. Seat height is 45 cm, depending on the project/casting.

GH.10.1087 Round bench with planter Ø2200/Ø1200 Treated steel





RESTAURANT GRAND

NT GRAND

GH FORM

FURNITURE FOR URBAN SPACES

We have a vision of safe and green urban spaces, focusing on quality, design and sustainability. We are a family-owned company from Denmark that started out in the town of Holbæk on Zealand, which was our first iron casting facility. We now have our own factory in Borup (also on Zealand) where we manufacture all our products for urban spaces.

Sustainability is a shared responsibility, so GH Form spends every day trying to make our urban environment greener. Our cast iron products are all made at our own iron casting facility on Zealand. We only use 100% recycled iron to make our products.

All our cast iron planters are EPD-certified. EPD is an environmental declaration that was developed to follow recognised European and international standards as set out in EN 15804 requirements.

Product-specific EPD certifications are our way of helping our customers by providing them with appropriate environmental documentation. Our EPD certifications can be looked up in the database of EPD Denmark epddanmark.dk.

The GH Form range of furniture for urban spaces has been developed in close collaboration with various architects. Our extensive range of products is made of solid materials like cast iron, steel and wood. Cast iron products are tough and have a long service life. The material has been a feature of urban spaces for centuries.

Do you need our advice?

**Contact us by phone on (+45) 59 44 09 90
or by email at mail@ghform.dk**



GH • F O R M

AQUAFORM
DIVERTING RAINWATER



BENCHES IN URBAN SPACES
BENCHES, CIRCULAR BENCHES, PICNIC SETS



FLORAFORM
TREE GRATES AND FLOWER PLANTERS



PICTOFORM
TACTILE GUIDED PATHWAYS



LIGHT IN URBAN SPACES
LIGHTING



WINDOWS IN ROOFS AND FACADES
CAST IRON WINDOWS



GET TO KNOW OUR PRODUCT RANGES

FURNITURE FOR URBAN SPACES

SELECTED REFERENCES

TREE GRATES AND PLANTERS

Bodil Koch's Park, Frederiksberg

Brandts Klædefabrik, Odense

Christiansborg

Frederiksberg Metro

Greenwich, London

Hedehusene Stationsplads

Hørsholm pedestrian street

Kongens Nytorv

Kulturhus Risbjerggaard, Hvidovre

Købmagergade & Hauserplads

Copenhagen Main Station

Malmö, Lille Torg

Nakskov Town Centre

Nordhavn Docklands

Odense City Centre

Odense Harbour

Copenhagen City Hall Square

Royal Arena

Silkeborg Town Centre

Sluseholmen

Stændertorvet Square, Roskilde

Aalborg City Centre

Aarhus City Centre

GH FORM APS

BÆKGÅRDSVEJ 64

DK 4140 BORUP

T +45 59 44 09 90

MAIL@GHFORM.DK

GHFORM.DK

GH • FORM